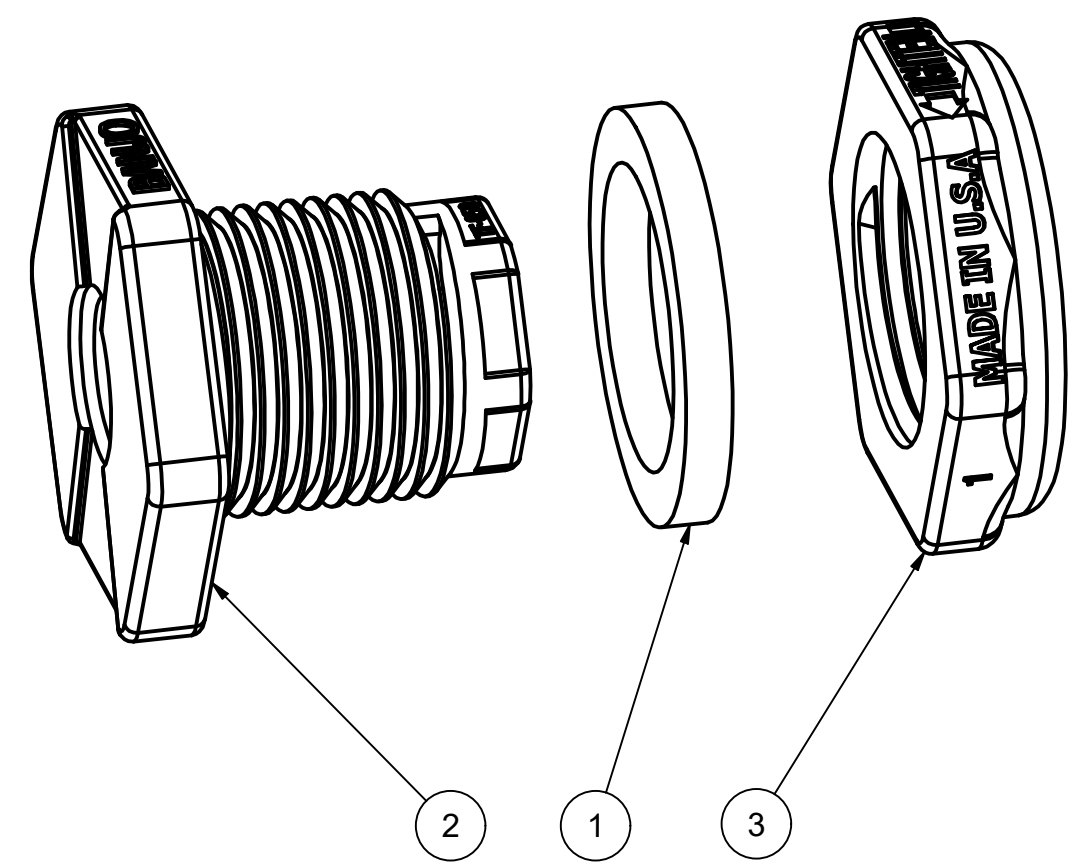
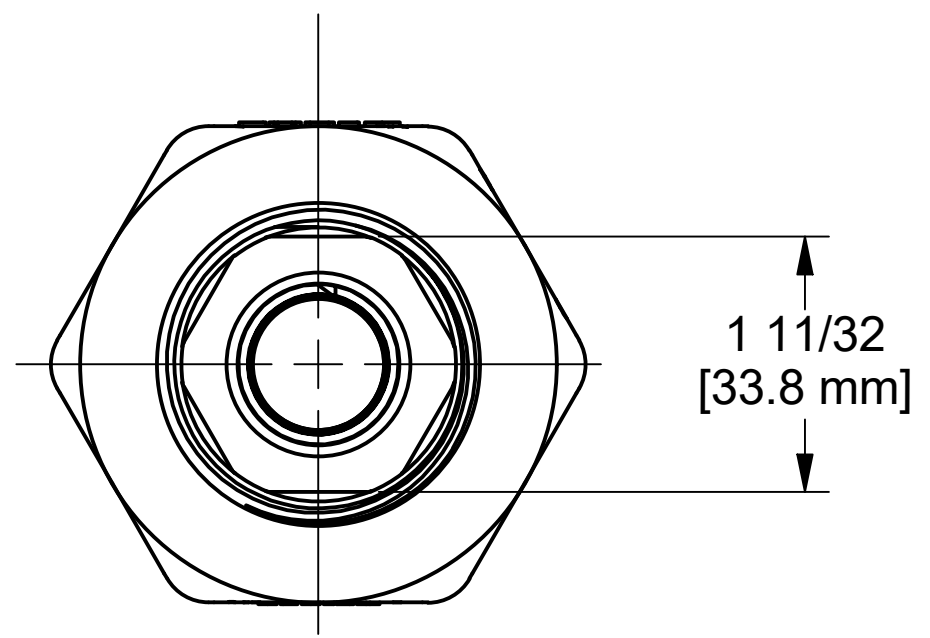


SECTION A-A
SCALE 1 : 1

PARTS LIST			
ITEM	QTY	PART NUMBER	DESCRIPTION
1	1	150G	1 1/2" Coupling Gasket
2	1	TF051	1/2" TANK FLANGE BODY
3	1	TF073	3/4" POLY TANK FLANGE NUT, MACHINED



NOTE: PARTS ARE TO BE BAGGED.

THIS DRAWING AND ALL INFORMATION CONTAINED THEREON ARE THE EXCLUSIVE PROPERTY OF BANJO CORPORATION.

UNLESS SPECIFICALLY NOTED, THIS DRAWING AND ITEMS SHOWN ON THIS DRAWING ARE SUBJECT TO CHANGE AT ANY TIME.



BANJO
CORPORATION

BANJO CORPORATION
150 BANJO DRIVE, CRAWFORDSVILLE, IN 47933
WEB SITE: WWW.BANJOCORP.COM
E-MAIL: BANJOSALES@IDEXCORP.COM

DESCRIPTION	1/2" NPT TANK FITTING, UNBAGGED
PART NUMBER	TF050